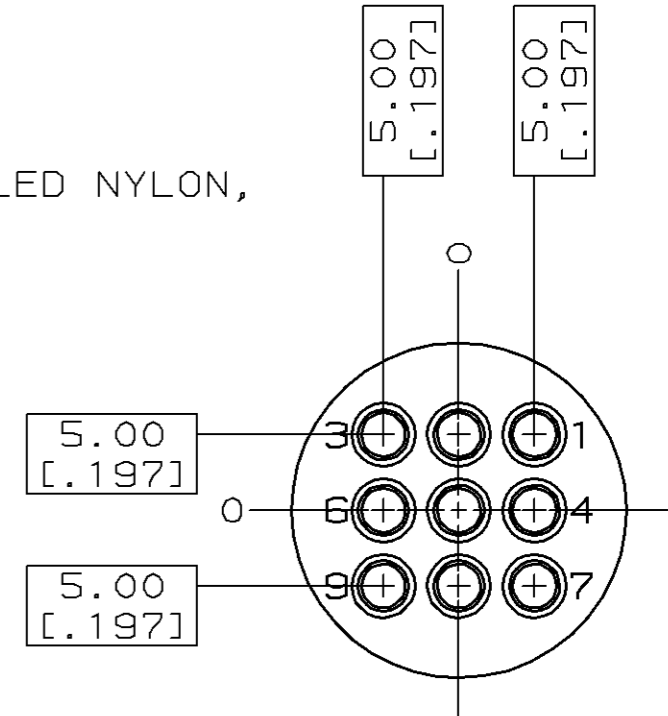
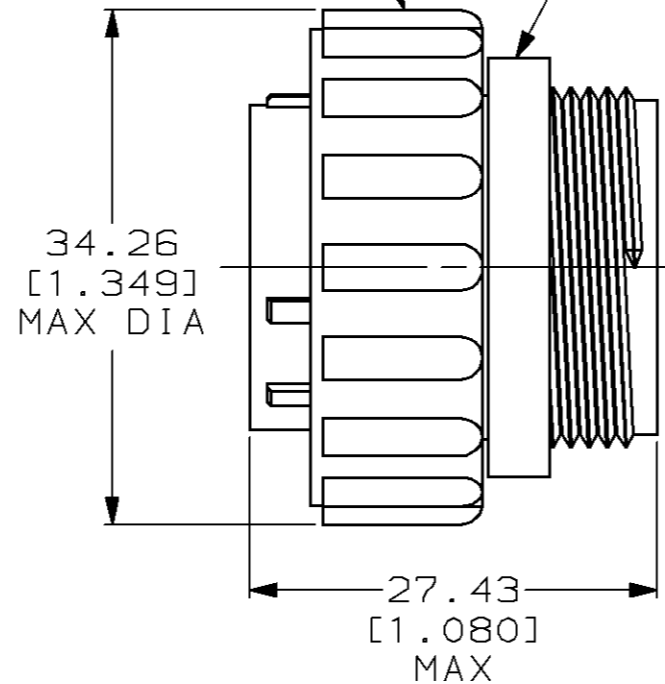
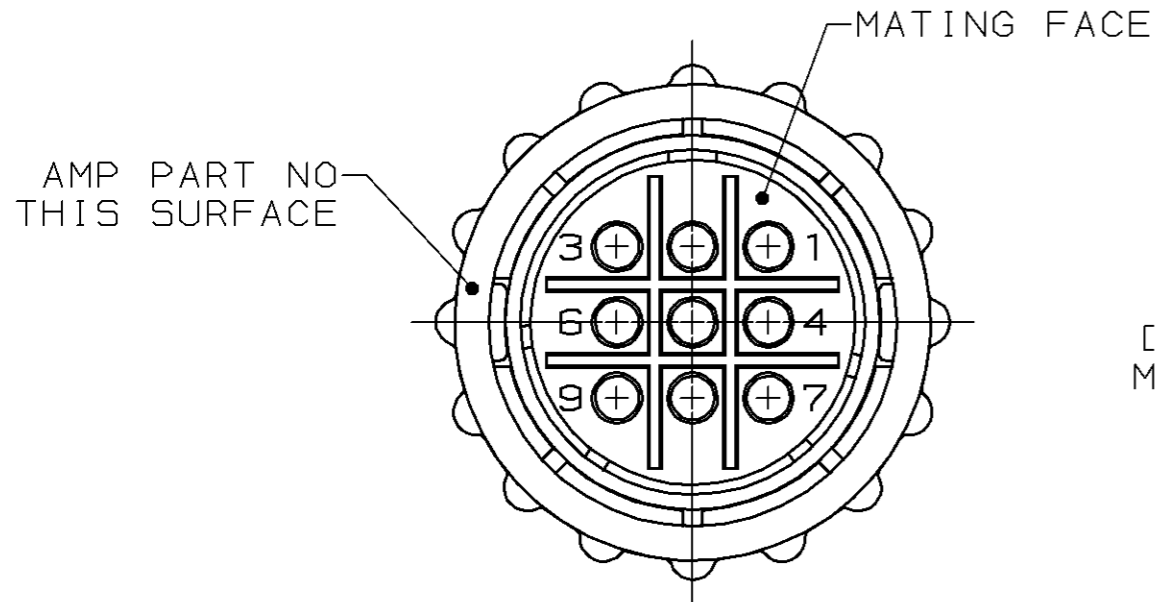


THIS DRAWING IS UNPUBLISHED. RELEASED FOR PUBLICATION, 19 .
 © COPYRIGHT 19 BY AMP INCORPORATED. ALL INTERNATIONAL RIGHTS RESERVED.

LOC	DIST	P	F	REVISIONS				
				ZONE	LTR	DESCRIPTION	DATE	APPD
FT	4				A	REDRAWN W/O CHANGE PER EC 0020-677-94	06/29/94	AF
					B	REV PER EC 0020-568-95	19 JUL 95	AF
					C	REV PER EC 0320-244-97	06 OCT 97	KD

COUPLING RING
 MATERIAL: POLYESTER, BLACK

PLUG HOUSING
 MATERIAL: GLASS FILLED NYLON,
 6/6, BLACK



MATING FACE
 CONFIGURATION

- CONTACT CAVITIES IDENTIFIED BY CHARACTERS ON FRONT AND REAR FACES OF CONNECTOR.
- THIS PART WILL ACCEPT 9 MULTIMATE SOCKET CONTACTS.

211766-1

PART NO

DO NOT SCALE PRINT, UNLESS SPECIFIED DIMENSIONS IN mm [INCHES] TOLERANCES ON: 2 PLC DEC ± - 3 PLC DEC ± - ANGLES ± -	DR 06/29/94 K.FOLTZ	AMP Incorporated Harrisburg, PA 17105-3608
	CHK 06/30/94 R.STONE	
	APPD 10/3/94 A.FRANTUM	
	APPD 10/3/94 A.FRANTUM	
	PRODUCT SPEC -	
MATERIAL SEE CALLOUTS	APPLICATION SPEC -	NAME PLUG ASSY, SPECIAL VDE, CLASS A, STD SEX, ARRANGEMENT 17-9, CPC
FINISH -	WEIGHT -	SIZE B CAGE CODE 00779 DRAWING NO C-211766
		SCALE 2:1 SHEET 1 OF 1

THIS DRAWING IS A CONTROLLED DOCUMENT FOR AMP INCORPORATED. IT IS SUBJECT TO CHANGE AND THE CONTROLLING ENGINEERING ORGANIZATION SHOULD BE CONTACTED FOR THE LATEST REVISION.

CUSTOMER DRAWING